

RH1042 Product Datasheet

Contents

1	General Description	7
2	Features.....	7
3	Applications.....	8
4	Typical Operating Circuit.....	8
5	Ordering Information.....	9
6	Pin Configuration and Functions	9
7	Functional Description.....	10
7.1	Operating modes	10
7.1.1	Normal mode.....	10
7.1.2	Standby mode	10
7.2	Driver and Receiver Function.....	11
7.3	Integrated Protection.....	12
7.3.1	Bus Fault Protection.....	12
7.3.2	Driver Output Protection.....	12
7.3.3	Driver TXD Dominant Timeout.....	12
7.3.4	Bus Dominant Timeout in Standby mode	12
7.3.5	Internal Biasing of TXD and STB Input Pins	13
7.3.6	Undervoltage Detection on Power V_{CC} and V_{IO} Pins.....	13
7.3.7	Extended Receiver Input Common-mode Range	13
7.3.8	EMC/ESD Protection.....	13
8	Specifications	14
8.1	Absolute Maximum Ratings	14
8.2	Electrical Characteristics	14
8.3	Timing Diagrams	17
9	Typical Operating Characteristics	19

9.1	TXD/CANH/CANL/RXD waveform in different frequencies	19
9.2	I_{CC} & I_{VIO} vs Temperature	21
9.3	V_{OD} vs Temperature & V_{CC}	22
9.4	TXD to BUS Delay vs Temperature.....	22
9.5	BUS to RXD Delay vs Temperature.....	23
9.6	Typical Application Test Circuit.....	24
9.7	CAN FD Data Transmissions	25
10	Package Information	27

Figures

Figure 1 – Typical Operating Circuit.....	8
Figure 2 – Device in SO-8 Package.....	9
Figure 3 – Standby mode Wake-up Timing	11
Figure 4 – CAN Transceiver Timing Diagram	17
Figure 5 – CAN FD Bitwidth Timing Diagram.....	17
Figure 6 – CAN Transceiver Timing Test Setup Circuit.....	18
Figure 7 – CAN Transceiver Driver Symmetry Test Setup Circuit.....	18

Tables

Table 1 – Ordering Information.....	9
Table 2 – Pin Functions.....	9
Table 3 – Device Operating Modes.....	10
Table 4 – Driver Functions.....	11
Table 5 – Receiver Functions.....	11

Revision History

Rev	Date	Description
A	10/23/2024	Initial introduction

1 General Description

The RH1042 is a new generation of high-speed 8Mbps Controller Area Network (CAN) transceiver that is in compliance with ISO 11898-2:2016 and SAE J2284-1 to SAE J3384-5 high-speed CAN specifications. This transceiver provides an interface between a CAN protocol controller and the physical two-wire CAN bus for CAN applications in the automotive and industrial markets.

The RH1042 features two modes of operation: Normal and Standby mode, which are selected through STB pin. Normal mode allows data rate exceeding 8Mbps, and Standby mode disables the transmitter, and puts the transceiver in low-current mode, with its RXD output reflects the status when bus dominant and recessive states persist longer than the wake-up filter timing. In Normal mode, the receiver input has an extended input common-mode range from -40V to +40V, exceeding the ISO 11898 specification of -2V to +7V. The transceiver also features integrated level shifters referenced to the V_{IO} pin, which allows transceiver to interface directly with controller having 2.8V~5.5V logic level.

This transceiver integrates many protections such as thermal shutdown, current-limiting, TXD-dominant timeout, bus fault protection up to $\pm 70V$, and fail-safe when supply is under-voltage or floating. It also provides robust $\pm 25kV$ HBM, $\pm 15kV$ IEC Air Gap and $\pm 8kV$ IEC Contact protection on bus pins.

The RH1042 is available in 8-pin SO package and operates over $-40^{\circ}C$ to $+125^{\circ}C$ extended temperature range.

2 Features

- ISO 11898-2:2016 and SAE J2284-1 to ADE J2284-5 compliant
- Support classical CAN and optimized CAN FD at 500kbps, 1Mbps, 5Mbps, and 8Mbps
- Support 12V, 24V and 48V systems
- Low electromagnetic emission, and high electromagnetic immunity
- $\pm 25kV$ HBM ESD tolerance on CAN bus, $\pm 6kV$ HBM ESD tolerance on all other pins
- $\pm 15kV$ IEC Air Gap Discharge and $\pm 8kV$ IEC Contact Discharge on CAN bus
- All pins pass $\pm 1.5kV$ CDM, and $\pm 400mA$ Latch-up test
- Bus fault voltage protection to $\pm 70V$
- Bulk Current Injection (BCI) passes ISO 11452-4:2011 400mA
- Perfect signal symmetry greatly improves EMI
- Transmitter TXD-dominant time-out
- Receiver extended common-mode input voltage range from -40V to +40V
- Support controller I/O's logical voltage level from 2.8V to 5.5V with separate V_{IO} pin
- Two operating modes: Normal mode and Standby mode
- Protection features: thermal-shutdown, under-voltage lockout, short-circuit current limit
- Available in industry-standard 8-pin SOIC package

3 Applications

- Power System Communications
- Industrial Control and Networks
- Telecommunication Backplane
- Consumer Applications
- Energy Storage Systems
- Building Automation

4 Typical Operating Circuit

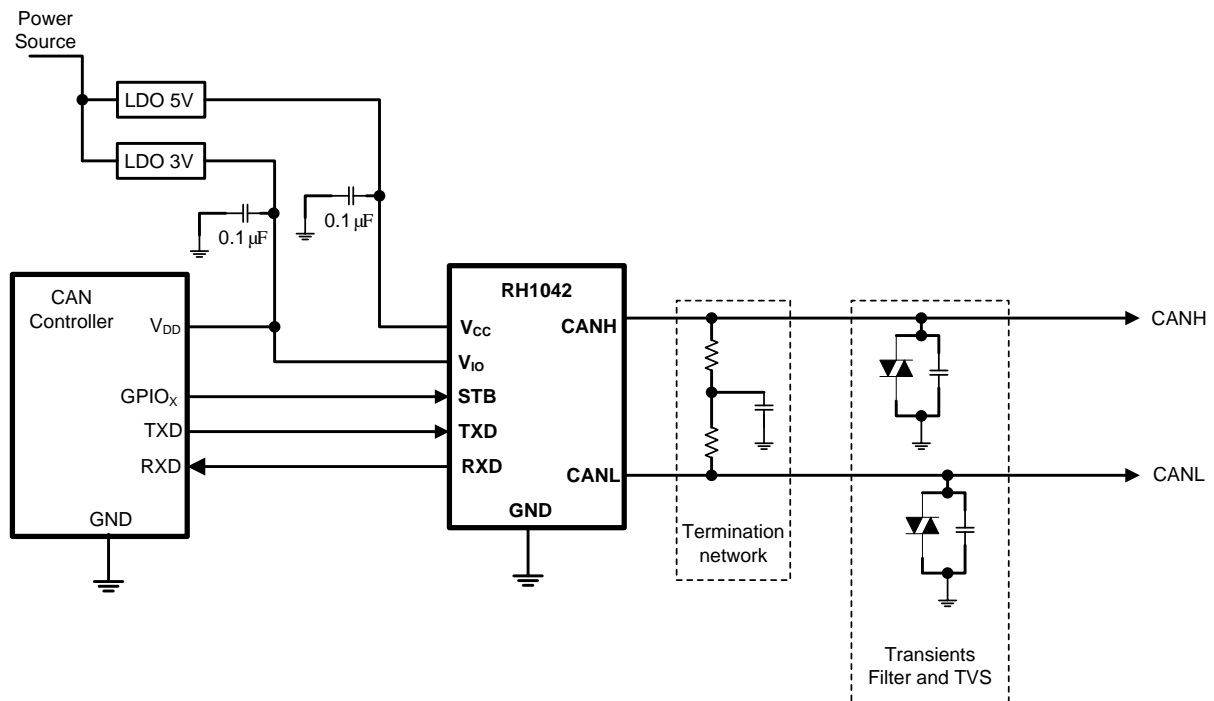


Figure 1 – Typical Operating Circuit

5 Ordering Information

Part Number	Temperature Range	Package-Pin	Description
RH1042ASCE+	-40°C to +125°C	SO-8	SO-8, body width 3.9mm in tube
RH1042ASCE+T	-40°C to +125°C	SO-8	SO-8, body width 3.9mm in tape and reel

Table 1 – Ordering Information

6 Pin Configuration and Functions

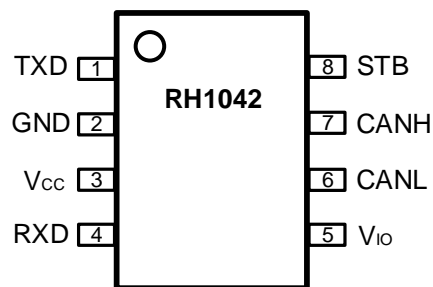


Figure 2 – Device in SO-8 Package

Pin Number	Pin Name	Pin Type	Description
1	TXD	Digital Input	Transmit Data Input, with an internal pull-up.
2	GND	Ground	Ground.
3	V _{CC}	Power	5V Power Supply.
4	RXD	Digital Output	Receiver Data Output.
5	V _{IO}	Power	2.8V to 5.5V Power Supply for digital input/output.
6	CANL	Analog Bus I/O	CAN Low Bus input/output.
7	CANH	Analog Bus I/O	CAN High Bus input/output.
8	STB	Digital Input	Standby mode control, with an internal pull-up.

Table 2 – Pin Functions

7 Functional Description

The RH1042 is a high-speed 8Mbps CAN-FD transceiver with pin-selectable Normal mode and Standby mode. It has enhanced EMC and ESD protection for both digital and bus pins, bus fault voltage protection up to $\pm 70V$, and an extended receiver input common-mode voltage range to $\pm 40V$ that provides ample application flexibility.

7.1 Operating modes

The RH1042 supports two operating modes: Normal mode and Standby mode, which can be pin-selectable through STB pin.

Operating Mode	Input Pin		Output		
	STB	TXD	Driver status	Receiver status	RXD
Normal	Low	Low	dominant	high power receiver active	Low
	Low	High	recessive	high power receiver active	High
Standby	High	Low	disabled	low power receiver active wake-up request detected	Low
	High	High	disabled	low power receiver active No wake-up request detected	High

Table 3 – Device Operating Modes

7.1.1 Normal mode

Connect STB to logic Low sets RH1042 to Normal mode. In this mode, the driver transmits data through TXD and outputs CAN-compliant signals at bus CANH and CANL. When TXD is at logic Low, CAN bus is in dominant state; when TXD is at logic High, CAN bus is in recessive state. The differential receiver converts CAN bus signals into digital output RXD: logic Low (dominant state) when $V_{CANH} > V_{CANL}$, logic High (recessive state) when $V_{CANH} \leq V_{CANL}$. This transceiver can achieve data transmission rate exceeding 8Mbps.

7.1.2 Standby mode

Connect STB to logic High sets RH1042 to Standby mode. In this mode, the driver is disabled and its outputs are released. A low-power differential receiver is enabled to monitor the bus lines for activity. A wake-up monitoring filter is also active in Standby mode.

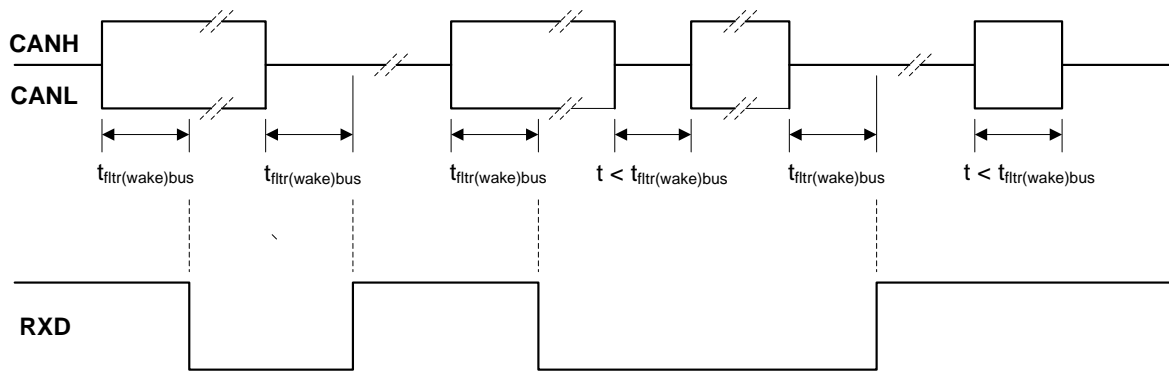


Figure 3 – Standby mode Wake-up Timing

The wake-up filter at the low-power receiver does not latch bus dominant states, but reflects the bus wake-up status at RXD pin when bus dominant and bus recessive states are present and persist longer than $t_{\text{filt(wake)bus}}$ timing. RXD pin outputs a logic low when a wake-up request is detected, and outputs a logic high when no wake-up request is detected. The low-power receiver is supplied by V_{IO} , and is capable of detecting CAN bus activity even if V_{IO} is the only supply voltage available.

7.2 Driver and Receiver Function

The digital logic inputs (TXD, STB) and output (RXD) are CMOS/TTL levels with respect to V_{IO} . The V_{IO} ranges from 2.8V~5.5V, which can align with controllers having 3.3V or 5V I/O's.

Device Mode	Digital Input		Driver Status	Bus Outputs		Bus state
	STB	TXD		CANH	CANL	
Normal	Low	Low	enabled	High	Low	dominant
	Low	High	enabled	High impedance	High impedance	recessive, bus biased to $\sim V_{CC}/2$
Standby	High	X, don't care	disabled	High impedance	High impedance	released

Table 4 – Driver Functions

Device Mode	Digital Input	Receiver Status		CAN Differential Inputs	Digital Output	Bus State
	STB	Normal Receiver	Wake-up Receiver	$V_{ID} = V_{CANH} - V_{CANL}$	RXD	
Normal	Low	enabled	disabled	$V_{ID} \geq 0.9V$	Low	dominant
	Low	enabled	disabled	$0.5V < V_{ID} < 0.9V$	undefined	undefined
	Low	enabled	disabled	$V_{ID} \leq 0.5V$	High	recessive
Standby	High	disabled	enabled	$V_{ID} \geq 1.15V$ or $V_{ID} \leq 0.4V$, AND dominant/recessive time $> t_{\text{filt(wake)bus}}$	Low	wake-up request detected
	High	disabled	enabled	$0.4V < V_{ID} < 1.15V$, or $V_{ID} \geq 1.15V$, or $V_{ID} \leq 0.4V$, AND time $< t_{\text{filt(wake)bus}}$	High	No wake-up request detected

Table 5 – Receiver Functions

7.3 Integrated Protection

7.3.1 Bus Fault Protection

The RH1042 features $\pm 70V$ of fault protection. CANH or CANL can tolerate an external short fault from $-70V$ to $+70V$ without any damage to the device. Data transmission resumes once the fault voltage is no longer present. In addition to bus fault protection, the RH1042 disengages from the bus when it is not powered up (V_{CC} left floating), and releases itself from the bus.

7.3.2 Driver Output Protection

The RH1042 protects the driver output stage against short-circuit to a positive or negative voltage by limiting the output source or sink current. On-chip thermal shutdown circuit further protects the device and disables the driver if the junction temperature of the RH1042 exceeds the thermal shutdown threshold. The driver returns to normal operation once the junction temperature drops below the thermal shutdown threshold voltage with hysteresis.

7.3.3 Driver TXD Dominant Timeout

The RH1042 features a driver dominant timeout that prevents CAN controller from dominating the bus more than $t_{to(dom)TXD}$, or limits the minimum possible data rate to $\sim 20kbps$. In dominant timeout, the driver is disabled and releases the bus to recessive state. The driver is enabled and enters into dominant state when TXD transits from High to Low.

7.3.4 Bus Dominant Timeout in Standby mode

In Standby mode, the RH1042 features a bus dominant timeout that prevents CAN controller from dominating the bus when bus changes from recessive to dominant state and its dominant state persists more than $t_{to(dom)bus}$. In this timeout state, RXD pin is reset to logic high. This function prevents a clamped dominant bus from generating a permanent wake-up request. The bus dominant timeout is reset when the CAN bus changes from dominant to recessive state.

7.3.5 Internal Biasing of TXD and STB Input Pins

Input pin TXD has an internal pull-up to V_{IO} , such that when it is left floating, the driver stays in recessive and releases the bus. Input pin STB has an internal pull-up to V_{IO} , such that when it is left floating, the device is in Standby mode. To minimize standby current, both pins should be held to V_{IO} in Standby mode.

7.3.6 Undervoltage Detection on Power V_{CC} and V_{IO} Pins

The RH1042 incorporates separate undervoltage detection for both V_{CC} and V_{IO} pins. The 5V V_{CC} pin supplies power to the device, and if it drops below V_{CC} 's undervoltage threshold, both the driver and receiver will be disabled and the device enters into Standby mode, until V_{CC} has recovered, regardless to the logic state of STB pin.

The V_{IO} pin supplies power to both the digital inputs (TXD and STB) and output pin (RXD), allowing the RH1042 to interface with controller having GPIO's from 2.8V to 5.5V. If V_{IO} drops below V_{IO} 's undervoltage threshold, the driver will be disabled and it disengages from the bus, until V_{IO} has recovered.

7.3.7 Extended Receiver Input Common-mode Range

The RH1042 features a strong differential receiver that has an extended input common-mode range from -40V to +40V, exceeding the ISO 11898 specification of -2V to +7V. It allows error-free data transmission exceeding 8Mbps through the whole common-mode range. In Standby mode, a low-power differential receiver is enabled, which also has an extended input common-mode range from -12V to +12V to detect for wake-up request.

7.3.8 EMC/ESD Protection

The RH1042 incorporates high $\pm 25\text{kV}$ ESD Human Body Model (HBM) protection at both of the CANH and CANL pins. For all other pins, $\pm 6\text{kV}$ HBM ESD can be tolerated without any damage. In addition, both CANH and CANL pins pass $\pm 8\text{kV}$ IEC Contact Discharge and $\pm 15\text{kV}$ IEC Air Gap Discharge. Furthermore, all pins can tolerate at least $\pm 1.5\text{kV}$ per Charged-device Model (CDM), and pass $\pm 400\text{mA}$ Latch-up (LU) test. For Bulk Current Injection (BCI), RH1042 passes the ISO 11452-4:2011 400mA.

8 Specifications

8.1 Absolute Maximum Ratings

Absolute Maximum Ratings						
Symbol	Parameter	Conditions	Min	Typ	Max	Unit
ESD/Voltage ratings						
V _{ESD}	electrostatic discharge voltage	IEC61000-4-2 Air Gap at CANH, CANL		±15		kV
		HBM at CANH, CANL		±25		kV
		HBM at other pins		±6		kV
		CDM field induced charge at all pins		±1.5		kV
LU	latch-up	Latch-up test at all pins		±400		mA
V _{CANH}	voltage on pin CANH		-70		+70	V
V _{CANL}	voltage on pin CANL		-70		+70	V
V _X	voltage on pins other than CANH/CANL		-0.3		+6	V
V _(CANH-CANL)	voltage between CANH and CANL		-34		+34	V
Temperature						
T _J	junction temperature				150	°C
T _S	storage temperature		-55		150	°C
T _{SD}	Thermal shutdown temperature			160		°C
	Thermal shutdown hysteresis			15		°C

8.2 Electrical Characteristics

Static Characteristics						
T _J = -40°C to +125°C; V _{CC} = 4.5V to 5.5V; V _{IO} = 2.8V to 5.5V; R _I = 60Ω unless specified otherwise.						
Symbol	Parameter	Conditions	Min	Typ	Max	Unit
Supply - pin V_{CC}						
V _{CC}	supply voltage		4.5		5.5	V
I _{CC}	supply current	Standby mode		1.8	5	μA
		Normal mode				
		recessive, V _{TXD} = V _{IO}		2.2	5	mA
		dominant, V _{TXD} = 0V		40	60	mA
		dominant, V _{TXD} = 0V; short circuit on bus lines; -3V < (V _{CANH} = V _{CANL}) < +18V		80	110	mA
V _{UVLO(VCC)}	undervoltage detection voltage on pin V _{CC}		3	3.5	4.2	V
I/O level adapter Supply - pin V_{IO}						
V _{IO}	supply voltage on V _{IO}		2.8		5.5	V
I _{VIO}	supply current on V _{IO}	Standby mode				
		V _{TXD} = V _{IO}		7	14	μA
		Normal mode				
		recessive, V _{TXD} = V _{IO}		30	100	μA
		dominant, V _{TXD} = 0V		200	800	μA
V _{UVLO(VIO)}	undervoltage detection voltage on V _{IO}		1.3	1.8	2.5	V
Mode control inputs - pin STB						
V _{IH}	input high voltage		0.7*V _{IO}		V _{IO} +0.3	V
V _{IL}	input low voltage		-0.3		0.3*V _{IO}	V
I _{IH}	input high current	V _{STB} = V _{IO}	-1		1	μA
I _{IL}	input low current	V _{STB} = 0V		30	50	μA

Static Characteristics (Continue)						
T _j = -40°C to +125°C; V _{CC} = 4.5V to 5.5V; V _{IO} = 2.8V to 5.5V; R _L = 60Ω unless specified otherwise.						
Symbol	Parameter	Conditions	Min	Typ	Max	Unit
CAN transmit data input - pin TXD						
V _{IH}	input high voltage		0.7*V _{IO}		V _{IO} +0.3	V
V _{IL}	input low voltage		-0.3		0.3*V _{IO}	V
I _{IH}	input high current	V _{TXD} =V _{IO}	-1		1	μA
I _{IL}	input low current	V _{TXD} =0V		30	50	μA
C _{in}	input capacitance			5		pF
CAN receive data output - pin RXD						
I _{OH}	output high current	V _{RXD} =V _{IO} -0.4V	8	20		mA
I _{OL}	output low current	V _{RXD} =0.4V, bus dominant	8	30		mA
Bus lines - pins CANH and CANL						
V _{O(dom)}	dominant output voltage	V _{TXD} =0V, t < t _{to(dom)TXD} ; Figure 6				
		CANH - R _L =50Ω to 65Ω	2.75	3.5	4.5	V
		CANL - R _L =50Ω to 65Ω	0.5	1.5	2.25	V
V _{dom(TX)symm}	transmitter dominant voltage symmetry	V _{dom(TX)symm} =V _{CC} -V _{CANH} -V _{CANL} ; Figure 6	-400		400	mV
V _{TXsymm}	transmitter voltage symmetry	V _{TXsymm} =V _{CANH} +V _{CANL} ; f _{TXD} =250kHz, 1MHz, and 2.5MHz; V _{CC} =4.75V to 5.25V; C _{SPLIT} =4.7nF; Figure 7	0.9*V _{CC}		1.1*V _{CC}	V
V _{O(diff)}	differential output voltage	dominant Normal mode: V _{TXD} =0V, t<t _{to(dom)TXD} ; Figure 6				
		R _L =45Ω to 65Ω	1.5		3	V
		R _L =45Ω to 70Ω	1.5		3.3	V
		R _L =2240Ω	1.5		5	V
		recessive mode: no load; Figure 6				
	Normal mode: V _{TXD} =V _{IO}	-50		50	mV	
	Standby mode: V _{STB} =0V	-0.2		0.2	V	
V _{O(rec)}	recessive output voltage	Standby mode: no load; Figure 6	-0.1		0.1	V
		Normal mode: V _{TXD} =V _{IO} , no load; Figure 6	2	0.5*V _{CC}	3	V
V _{th(RX)diff}	differential receiver threshold voltage	Normal mode: -40V≤V _{CANH} ≤+40V, -40V≤V _{CANL} ≤+40V	0.5	0.7	0.9	V
		Standby mode: -12V≤V _{CANH} ≤+12V, -12V≤V _{CANL} ≤+12V	0.4	0.7	1.15	V
V _{rec(RX)}	receiver recessive voltage	Normal mode: -40V≤V _{CANH} ≤+40V, -40V≤V _{CANL} ≤+40V	-4		0.5	V
		Standby mode: -12V≤V _{CANH} ≤+12V, -12V≤V _{CANL} ≤+12V	-4		0.4	V
V _{dom(RX)}	receiver dominant voltage	Normal mode: -40V≤V _{CANH} ≤+40V, -40V≤V _{CANL} ≤+40V	0.9		9	V
		Standby mode: -12V≤V _{CANH} ≤+12V, -12V≤V _{CANL} ≤+12V	1.15		9	V
V _{hys(RX)diff}	differential receiver hysteresis voltage	Normal mode: -40V≤V _{CANH} ≤+40V, -40V≤V _{CANL} ≤+40V		100		mV
		Standby mode: -12V≤V _{CANH} ≤+12V, -12V≤V _{CANL} ≤+12V		50		mV
I _{O(sc)dom}	dominant short-circuit output current	V _{TXD} =0V, t<t _{to(dom)TXD} , V _{CC} =5V				
		V _{CANH} = -15V to +40V	-100			mA
		V _{CANL} = -15V to +40V			100	mA
I _{O(sc)rec}	recessive short-circuit output current	V _{TXD} =V _{IO} , V _{CANH} =V _{CANL} =±40V		2	5	mA
I _L	output leakage current	V _{CC} =V _{IO} = 0V; V _{CANH} =V _{CANL} =5V		2.5	5	μA
		V _{CC} =V _{IO} =shorted to GND via 47kΩ; V _{CANH} =V _{CANL} =5V		2.5	5	μA
R _{in}	input resistance	-2V≤V _{CANL} ≤+7V, -2V≤V _{CANH} ≤+7V	18	30	52	kΩ
ΔR _{in}	input resistance deviation	0V≤V _{CANL} ≤+5V, 0V≤V _{CANH} ≤+5V	-1		1	%
R _{in(diff)}	differential input resistance	-2V≤V _{CANL} ≤+7V, -2V≤V _{CANH} ≤+7V	36	60	104	kΩ
C _{in(cm)}	common-mode input capacitance			15		pF
C _{in(diff)}	differential input capacitance			8		pF

Dynamic Characteristics						
T _j =-40°C to +125°C; V _{CC} =4.5V to 5.5V; V _{IO} =2.8V to 5.5V; R _L =60Ω unless specified otherwise.						
Symbol	Parameter	Conditions	Min	Typ	Max	Unit
Transceiver timing: CANH, CANL, TXD and RXD						
t _{d(TXD-busdom)}	delay time from TXD to bus dominant	Normal mode, Figure 4		15	40	ns
t _{d(TXD-busrec)}	delay time from TXD to bus recessive	Normal mode, Figure 4		35	60	ns
t _{d(busdom-RXD)}	delay time from bus dominant to RXD	Normal mode, Figure 4		115	150	ns
t _{d(busrec-RXD)}	delay time from bus recessive to RXD	Normal mode, Figure 4		110	150	ns
t _{d(TXDL-RXDL)}	delay time from TXD LOW to RXD LOW	Normal mode, Figure 4		125	190	ns
t _{d(TXDH-RXDH)}	delay time from TXD HIGH to RXD HIGH	Normal mode, Figure 4		140	190	ns
t _{bit(bus)}	transmitted recessive bit width	t _{bit(TXD)} =500ns, 2Mbps, Figure 5	435		530	ns
		t _{bit(TXD)} =200ns, 5Mbps, Figure 5	155		210	ns
		t _{bit(TXD)} =125ns, 8Mbps, Figure 5	100		140	ns
t _{bit(RXD)}	bit time on RXD	t _{bit(TXD)} =500ns, 2Mbps, Figure 5	400		550	ns
		t _{bit(TXD)} =200ns, 5Mbps, Figure 5	120		220	ns
		t _{bit(TXD)} =125ns, 8Mbps, Figure 5	85		135	ns
Δt _{symm(rec)}	receiver timing symmetry	t _{bit(TXD)} =500ns, 2Mbps, Figure 5	-65		40	ns
		t _{bit(TXD)} =200ns, 5Mbps, Figure 5	-45		15	ns
		t _{bit(TXD)} =125ns, 8Mbps, Figure 5	-45		10	ns
t _{to(dom)TXD}	TXD dominant time-out time	V _{TXD} =0V, Normal mode	0.3	3	5	ms
t _{to(dom)bus}	bus dominant time-out time	Standby mode	0.3	1.5	5	ms
t _{fltr(wake)bus}	bus wake-up filter time	Standby mode	0.2	0.5	5	μs
t _{d(stb-norm)}	Standby to Normal mode delay time		6	10	45	μs

8.3 Timing Diagrams

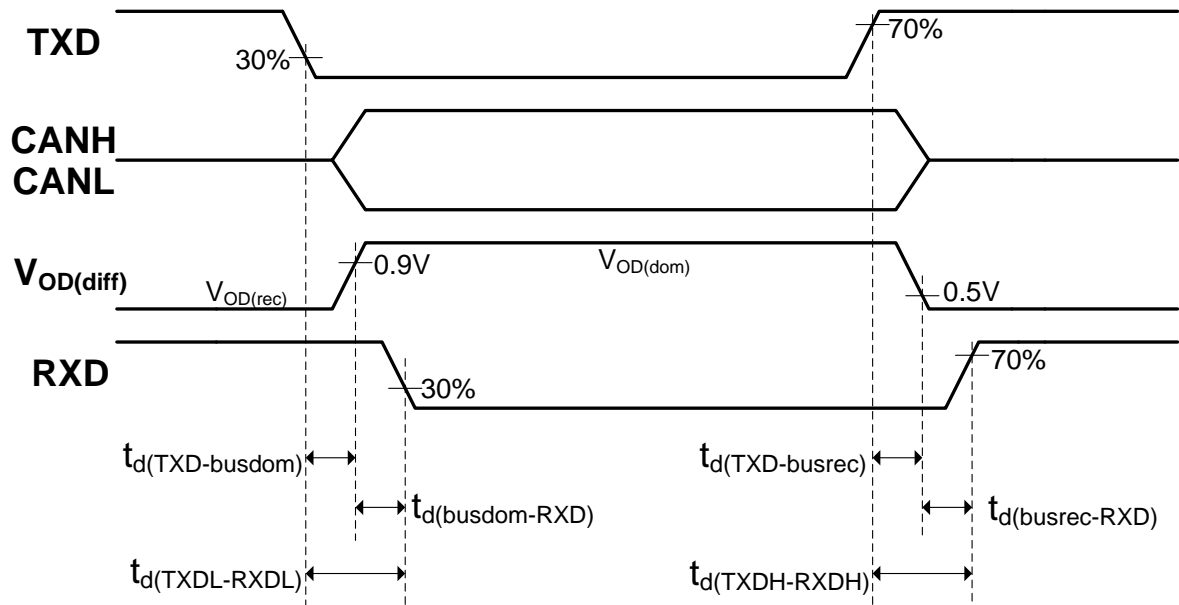


Figure 4 – CAN Transceiver Timing Diagram

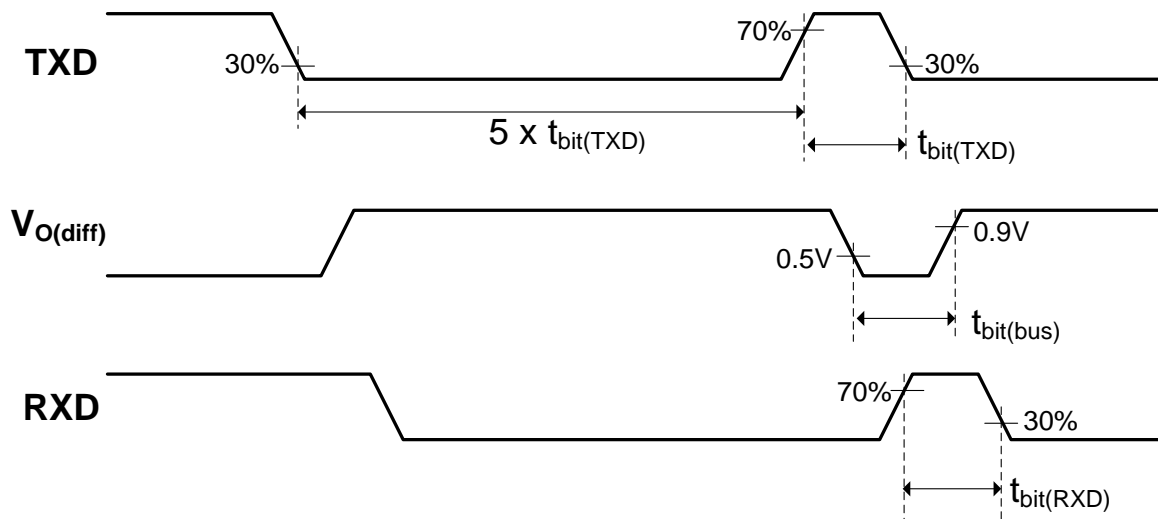


Figure 5 – CAN FD Bitwidth Timing Diagram

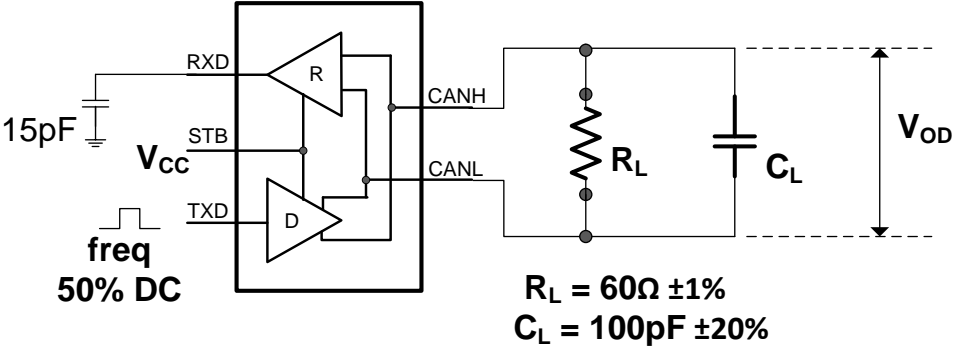


Figure 6 – CAN Transceiver Timing Test Setup Circuit

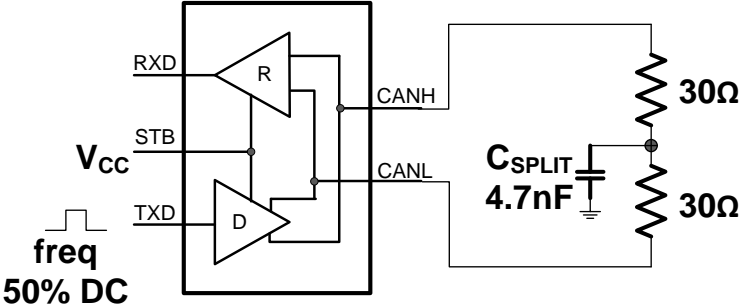
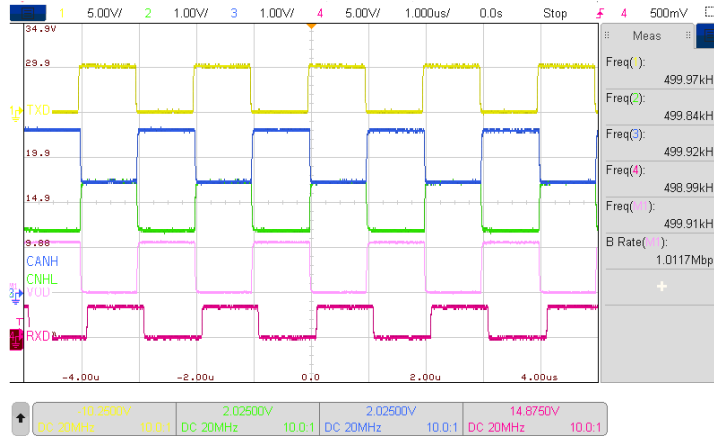


Figure 7 – CAN Transceiver Driver Symmetry Test Setup Circuit

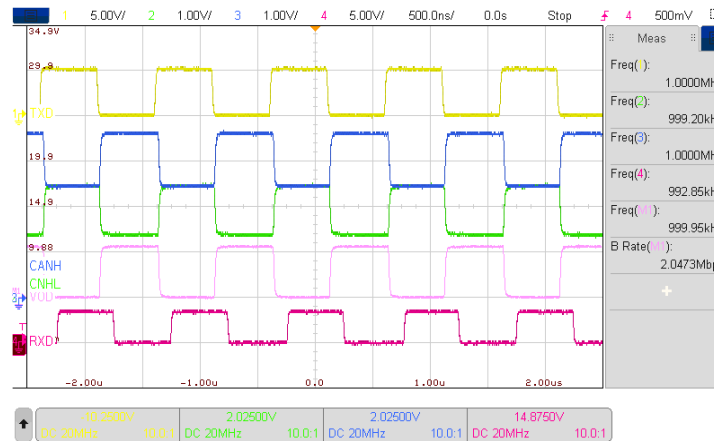
9 Typical Operating Characteristics

$V_{CC}=5.0V$, $V_{IO}=5.0V$, $R_L=30\Omega+30\Omega$, $C_{SPLIT}=4.7nF$, $T_A=25^\circ C$, unless specified otherwise.

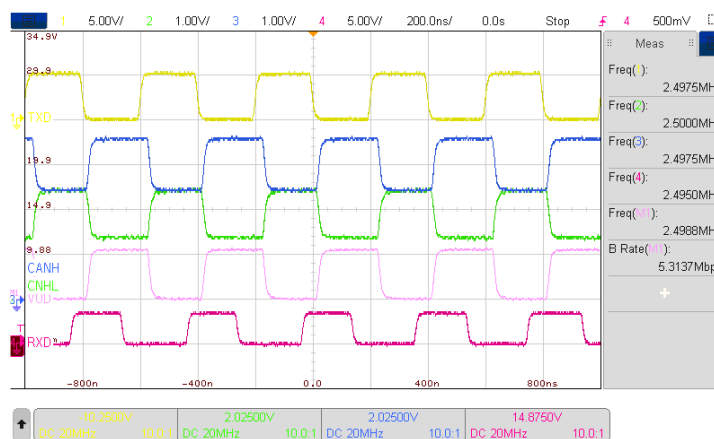
9.1 TXD/CANH/CANL/RXD waveform in different frequencies



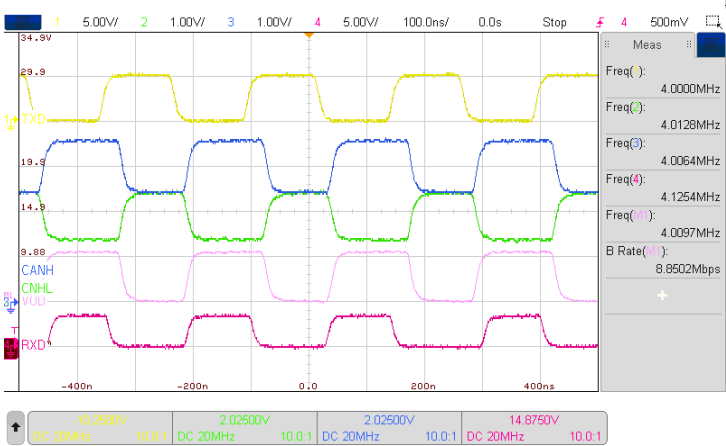
Data Rate = 1Mbps



Data Rate = 2Mbps

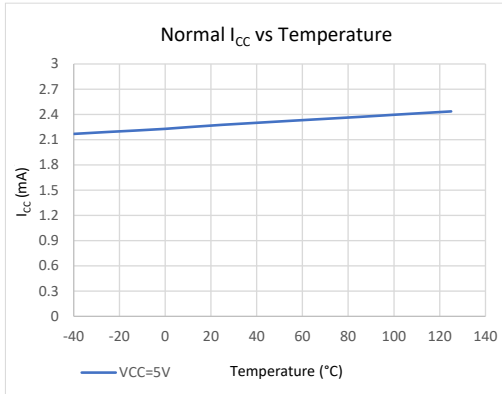
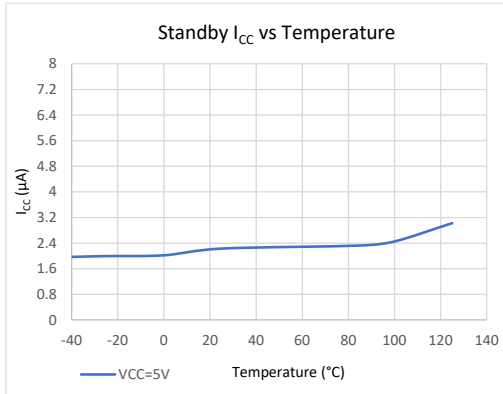


Data Rate = 5Mbps

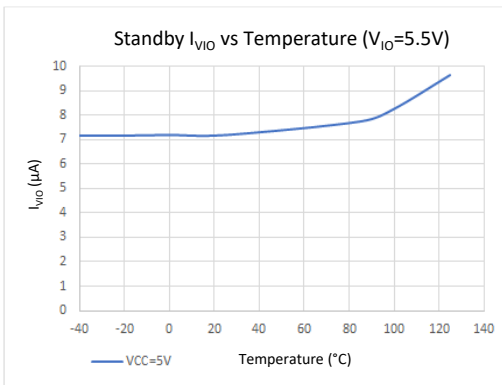
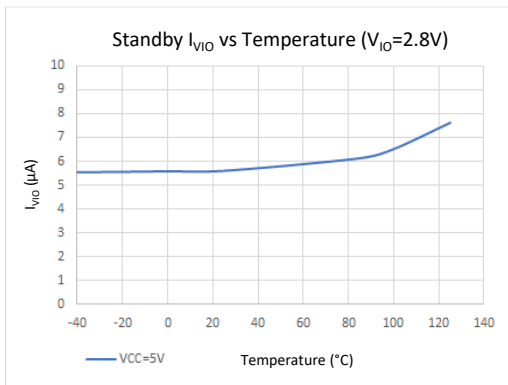


Data Rate = 8Mbps

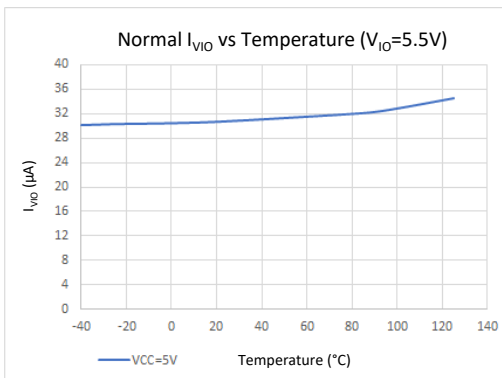
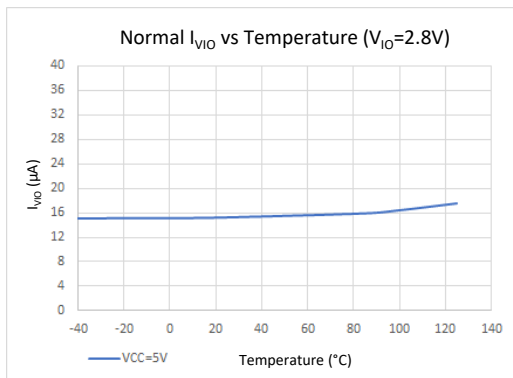
9.2 I_{CC} & I_{VI0} vs Temperature



Standby & Normal Quiescent I_{CC} vs Temperature (V_{I0}=2.8V or V_{I0}=5.5V)

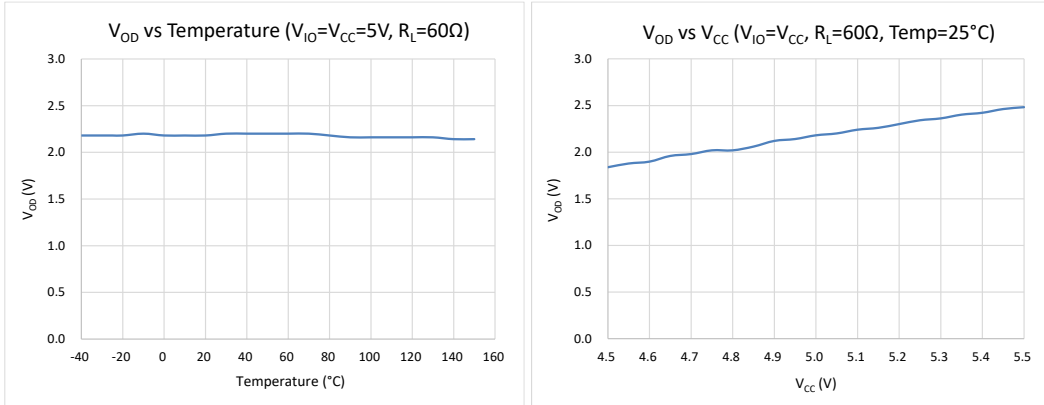


Standby Mode I_{VI0} vs Temperature (V_{CC}=5V)

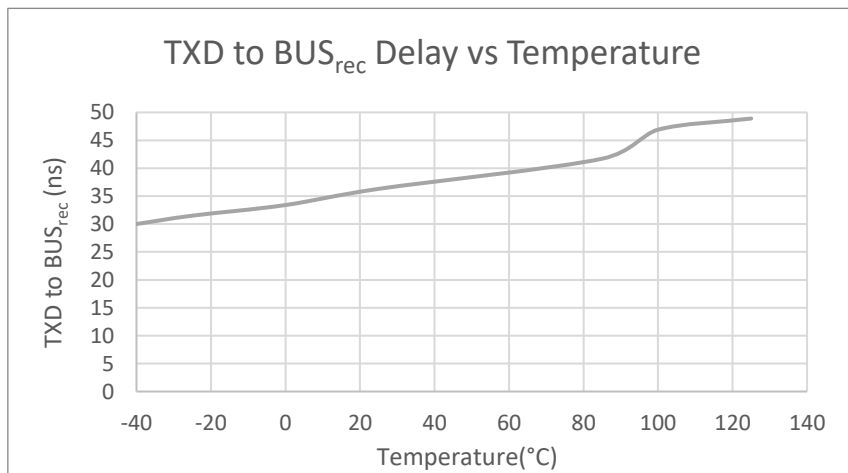
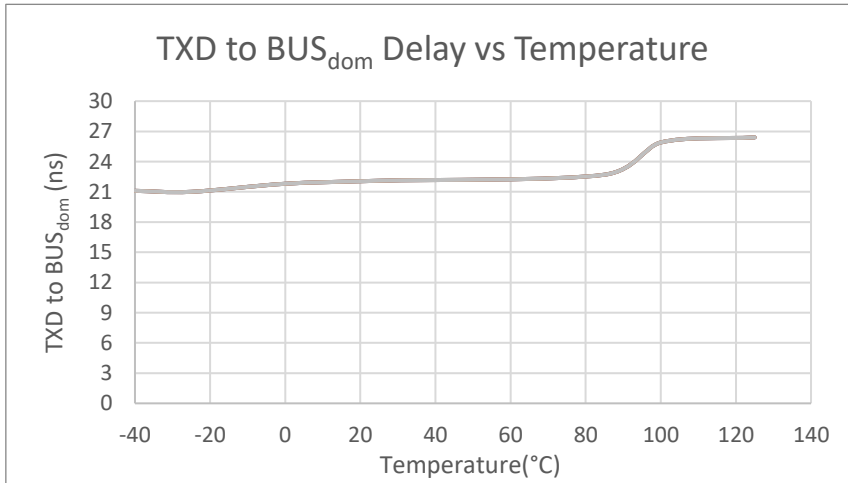


Normal Mode I_{VI0} vs Temperature (V_{CC}=5V)

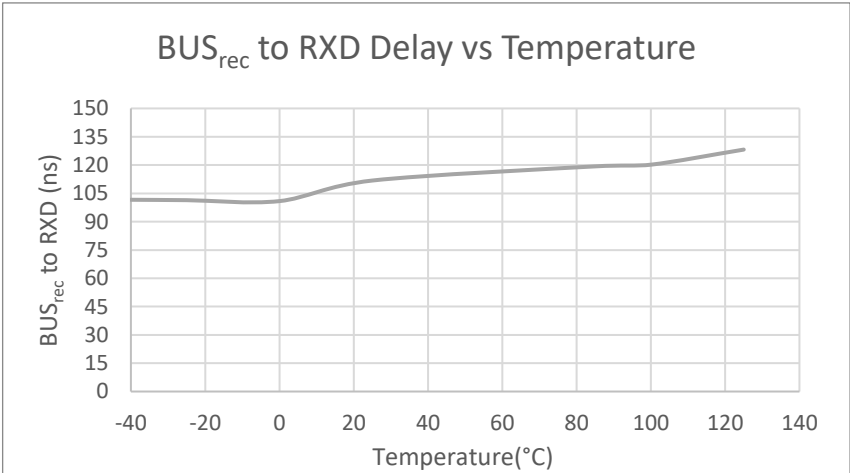
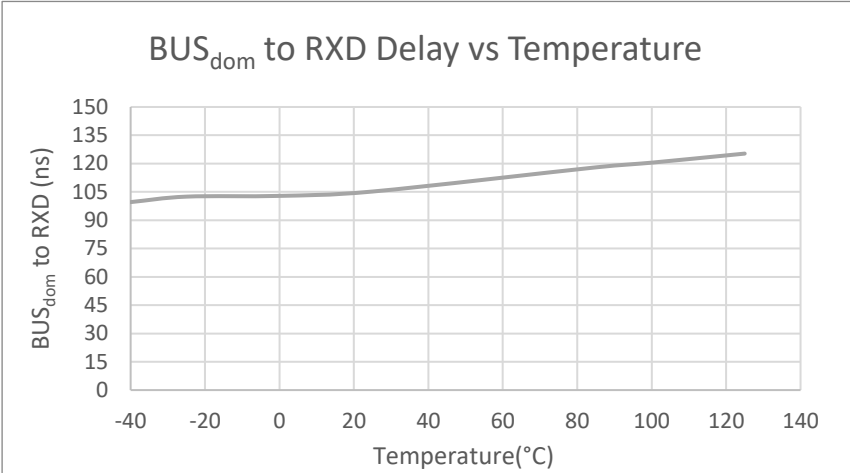
9.3 V_{OD} vs Temperature & V_{CC}



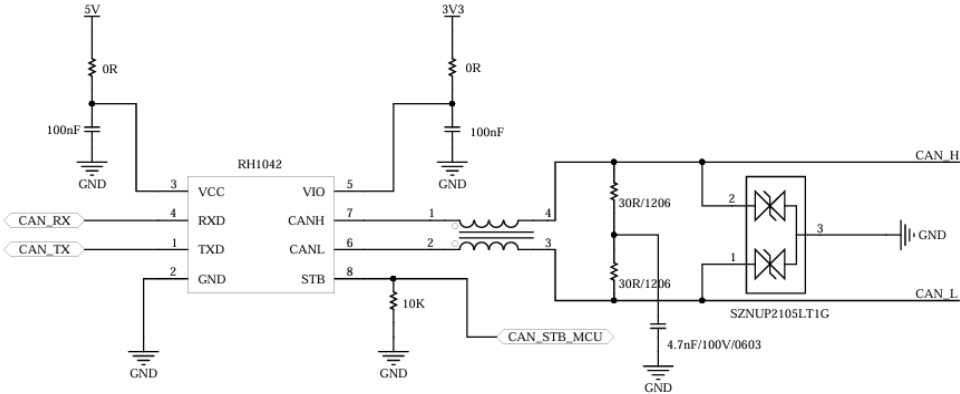
9.4 TXD to BUS Delay vs Temperature



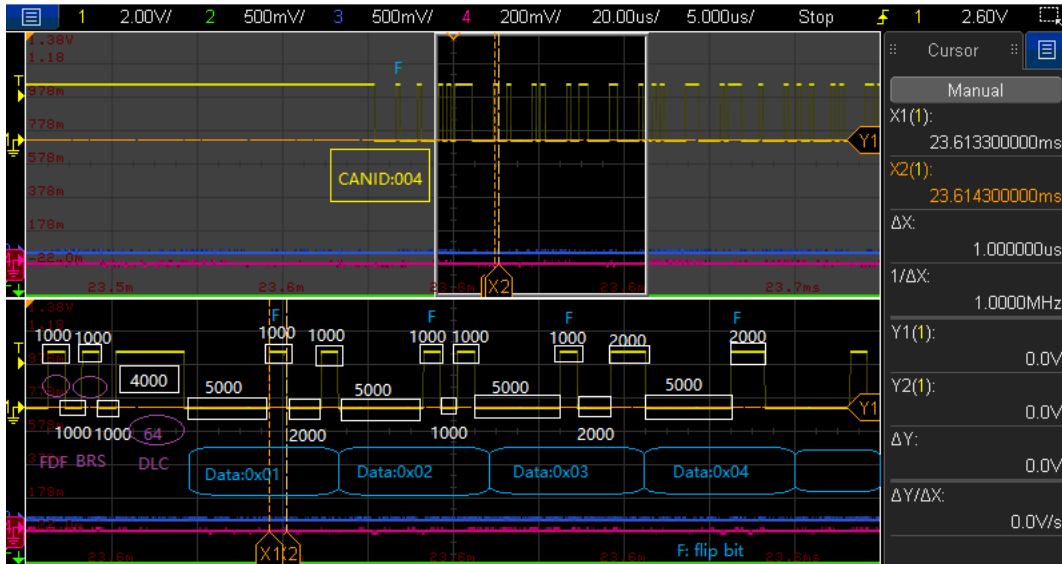
9.5 BUS to RXD Delay vs Temperature



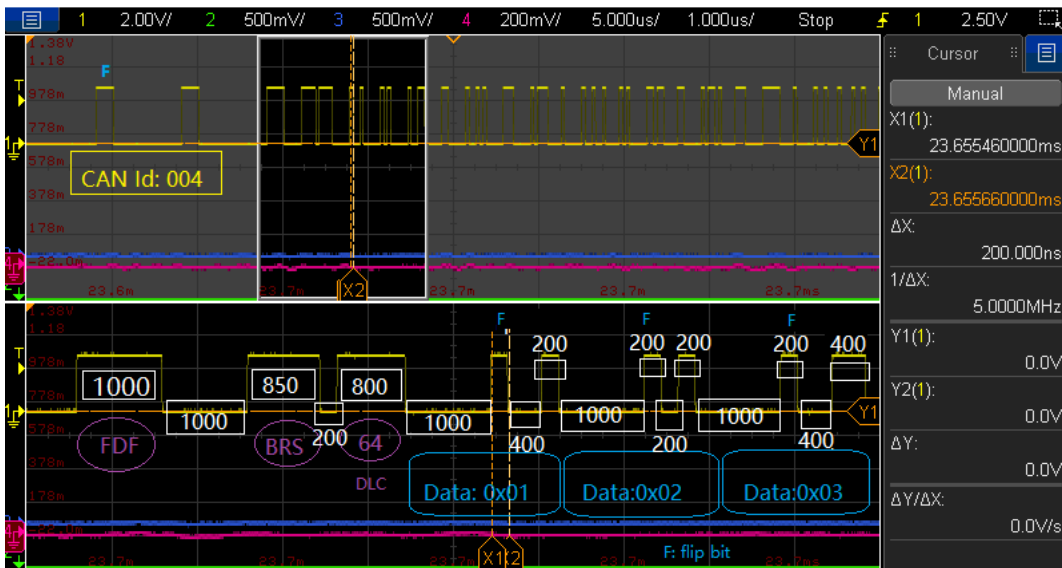
9.6 Typical Application Test Circuit



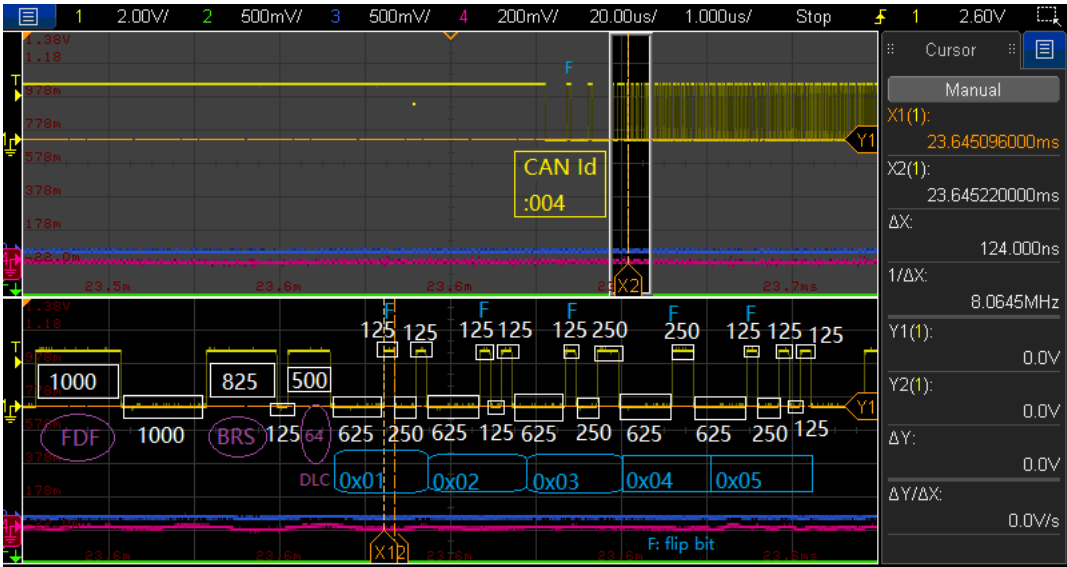
9.7 CAN FD Data Transmissions



1Mbps Data Phase and 1Mbps Arbitration Phase



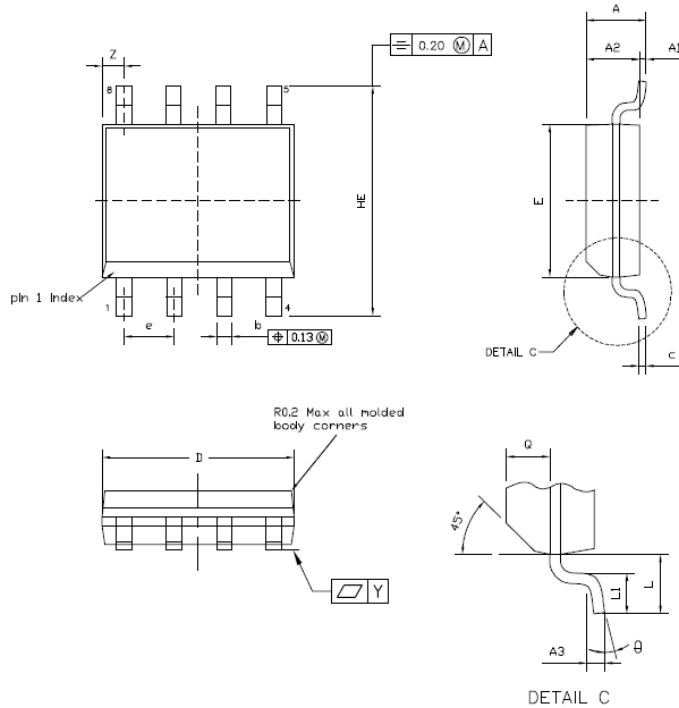
5Mbps Data Phase and 1Mbps Arbitration Phase



8Mbps Data Phase and 1Mbps Arbitration Phase

10 Package Information

Package Outline SO-8 (150 mil)



* CONTROLLING DIMENSION : MM

SYMBOL	MILLIMETER		
	MIN.	NOM.	MAX.
A	---	---	1.75
A1	0.10	---	0.25
A2	1.25	1.35	1.45
b	0.33	0.38	0.49
c	0.19	0.20	0.25
D	4.80	4.90	5.00
E	3.80	3.90	4.00
Q	0.60	0.65	0.70
HE	5.80	6.00	6.20
e	1.27 BSC		
L	1.05 BSC		
L1	0.40	0.64	1.00
Y	---	0.10	---
Z	0.3	0.5	0.7
A3	0.25 BSC		
θ	0°	5°	8°

Important Notice

融慧集成电路科技(杭州)有限公司 Reach Higher Integrated Circuits Co., Ltd. cannot assume responsibility for use of any circuitry other than circuitry entirely embodied in a Reach Higher Integrated Circuits Co., Ltd. product. No circuit patent licenses are implied. Reach Higher Integrated Circuits Co., Ltd. reserves the right to change the circuitry and specifications without notice at any time. The Parametric values shown in the Electrical Characteristics table are guaranteed. Other parametric values quoted in this data sheet are provided for guidance.

All text, images, trademarks of this document, and any intellectual property contained in the product and in this document belong to Reach Higher Integrated Circuits Co., Ltd. No part of this document may be used, copied, modified, distributed or published without legal authorization from Reach Higher Integrated Circuits Co., Ltd.